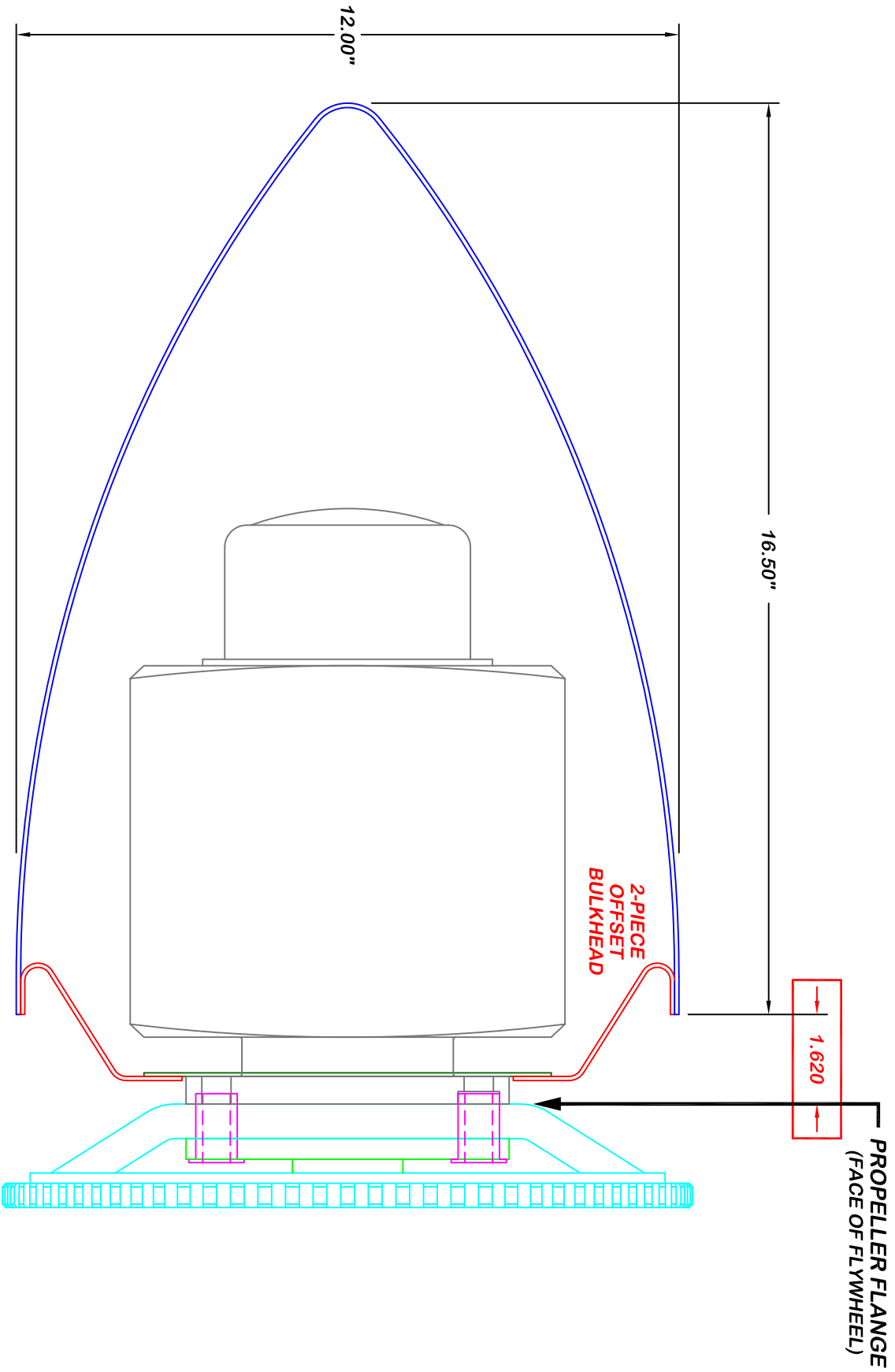


**284 12" CUB CRAFTERS STANDARD**

- PROPELLER HUB
- SPINNER
- SPINNER BULKHEAD
- ENGINE PROPELLER FLANGE
- PROPELLER DRIVE LUG
- STARTER FLYWHEEL

**LEGEND**

WHIRL WIND AVIATION  
 DRAWN BY: J.S.      CHECKED BY: G.A.  
 REVISION: A      RELEASE DATE: 10/28/2014

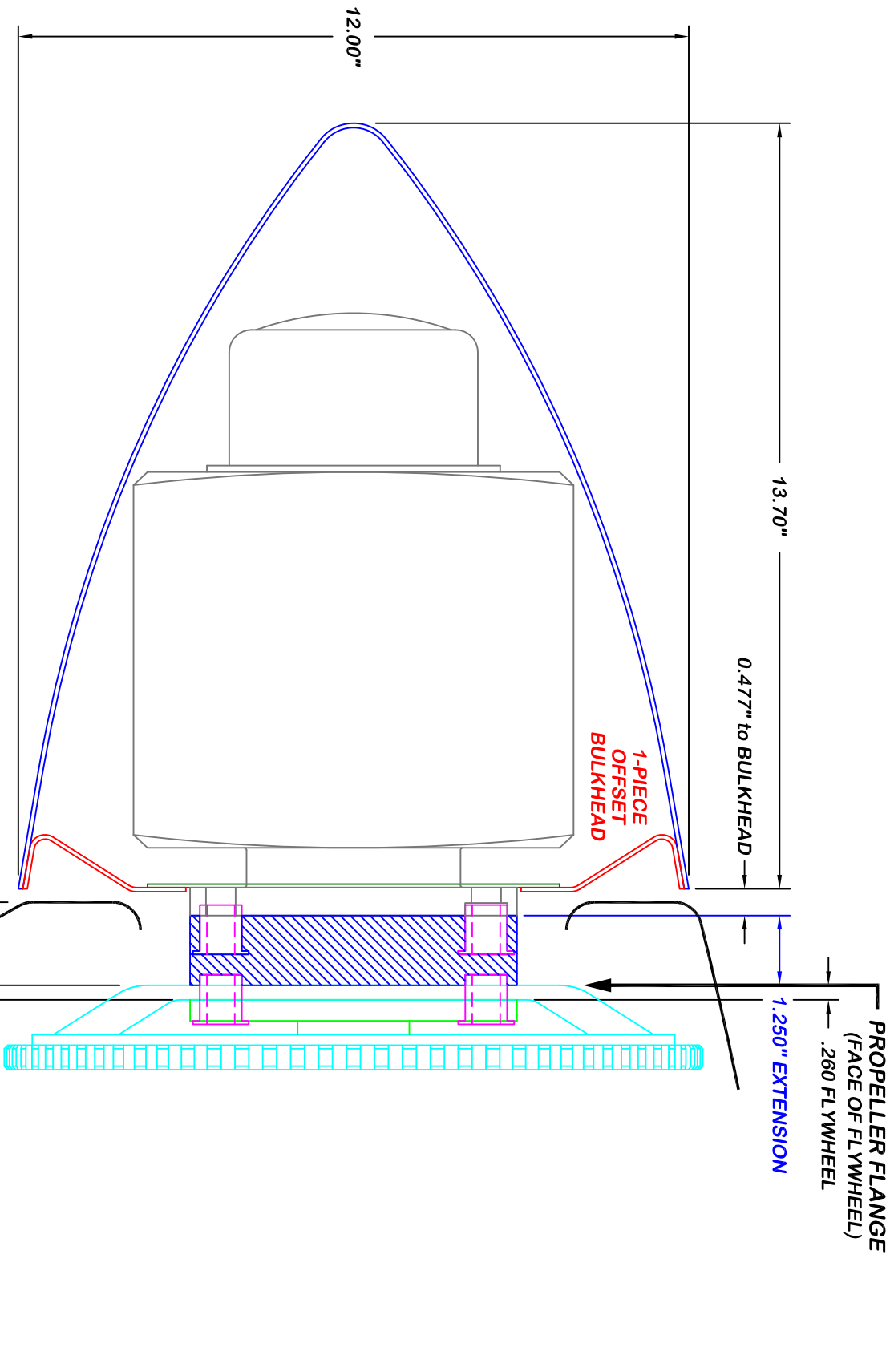


**12" POINTED for 200 SERIES**

- PROPELLER HUB
- SPINNER
- SPINNER BULKHEAD
- SPINNER MOUNTING PLATES
- ENGINE PROPELLER FLANGE
- PROPELLER DRIVE LUG
- STARTER FLYWHEEL

**LEGEND**

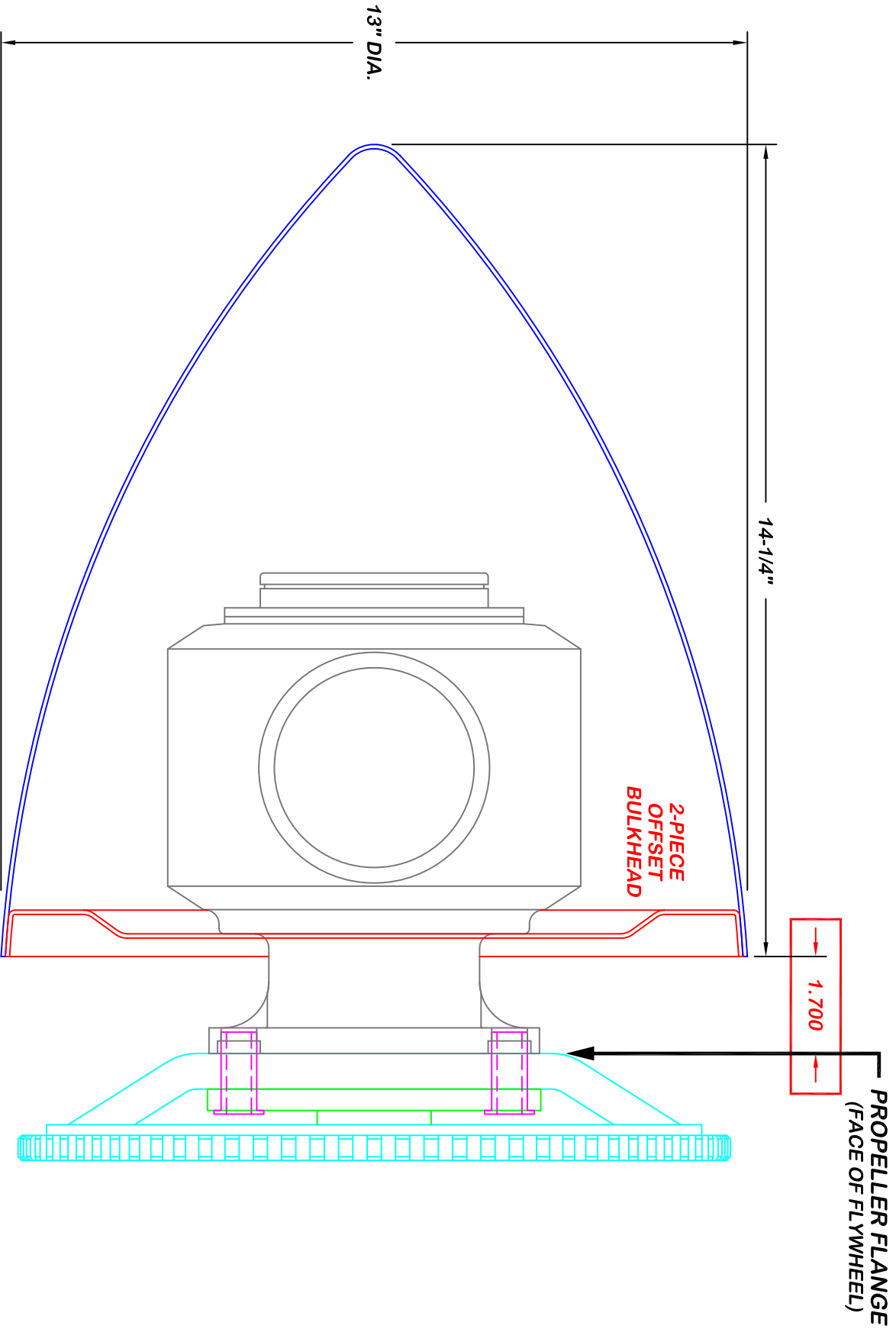
WHIRL WIND AVIATION  
 DRAWN BY: J.S.      CHECKED BY: B.K.  
 REVISION: B      RELEASE DATE: 03/19/2013



**12" TAPERED for STANDARD GLASAIR SPORTSMAN 2+2**

- PROPELLER HUB
- SPINNER
- SPINNER BULKHEAD
- SPINNER MOUNTING PLATES
- ENGINE PROPELLER FLANGE
- PROPELLER DRIVE LUG
- STARTER FLYWHEEL
- CONSTANT SPEED EXTENSION

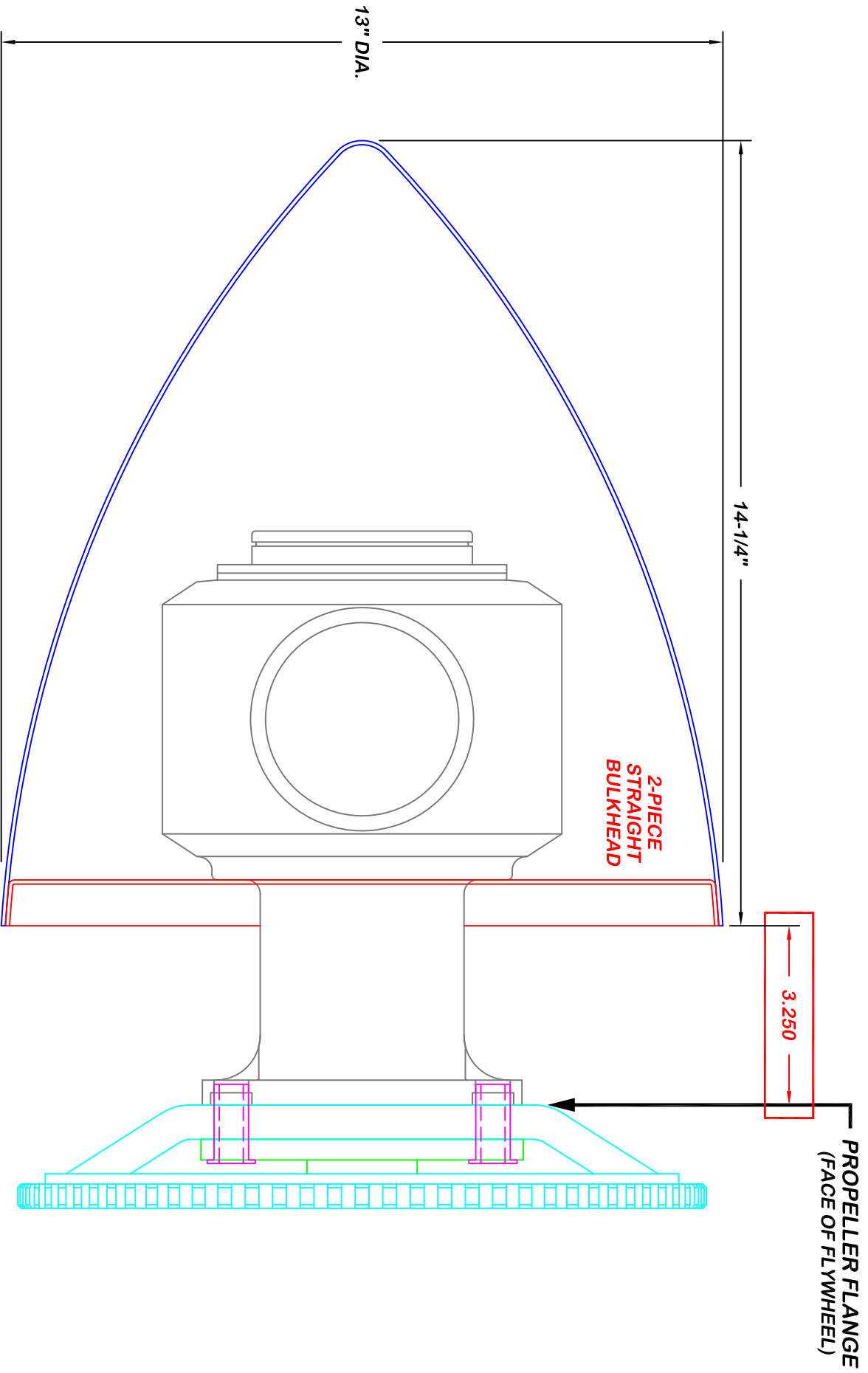
**LEGEND**



**151 STANDARD - STANDARD HUB**

- PROPELLER HUB
- SPINNER
- SPINNER BULKHEAD
- ENGINE PROPELLER FLANGE
- PROPELLER DRIVE LUG
- STARTER FLYWHEEL

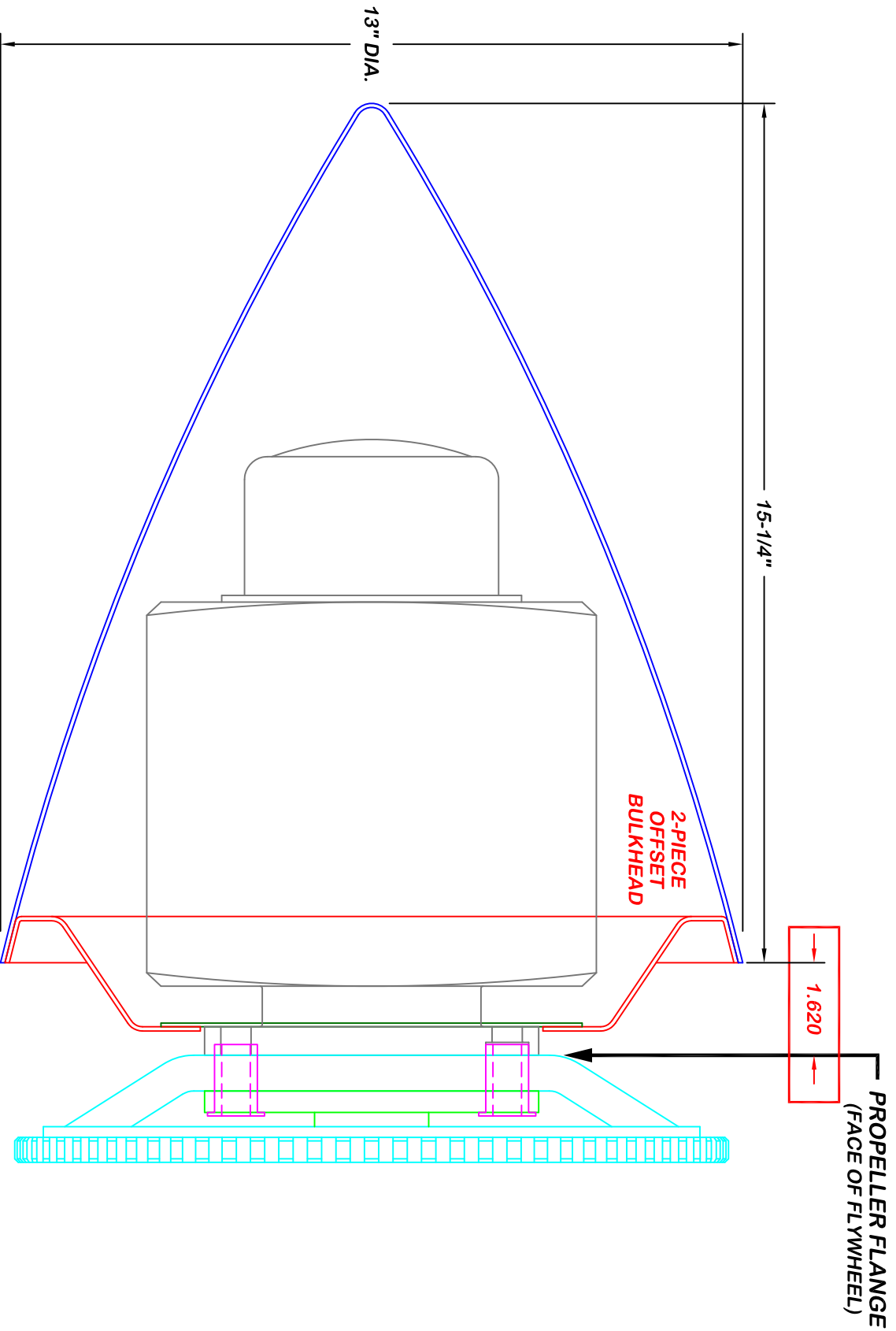
**LEGEND**



- PROPELLER HUB
- SPINNER
- SPINNER BULKHEAD

- ENGINE PROPELLER FLANGE
- PROPELLER DRIVE LUG
- STARTER FLYWHEEL

**LEGEND**



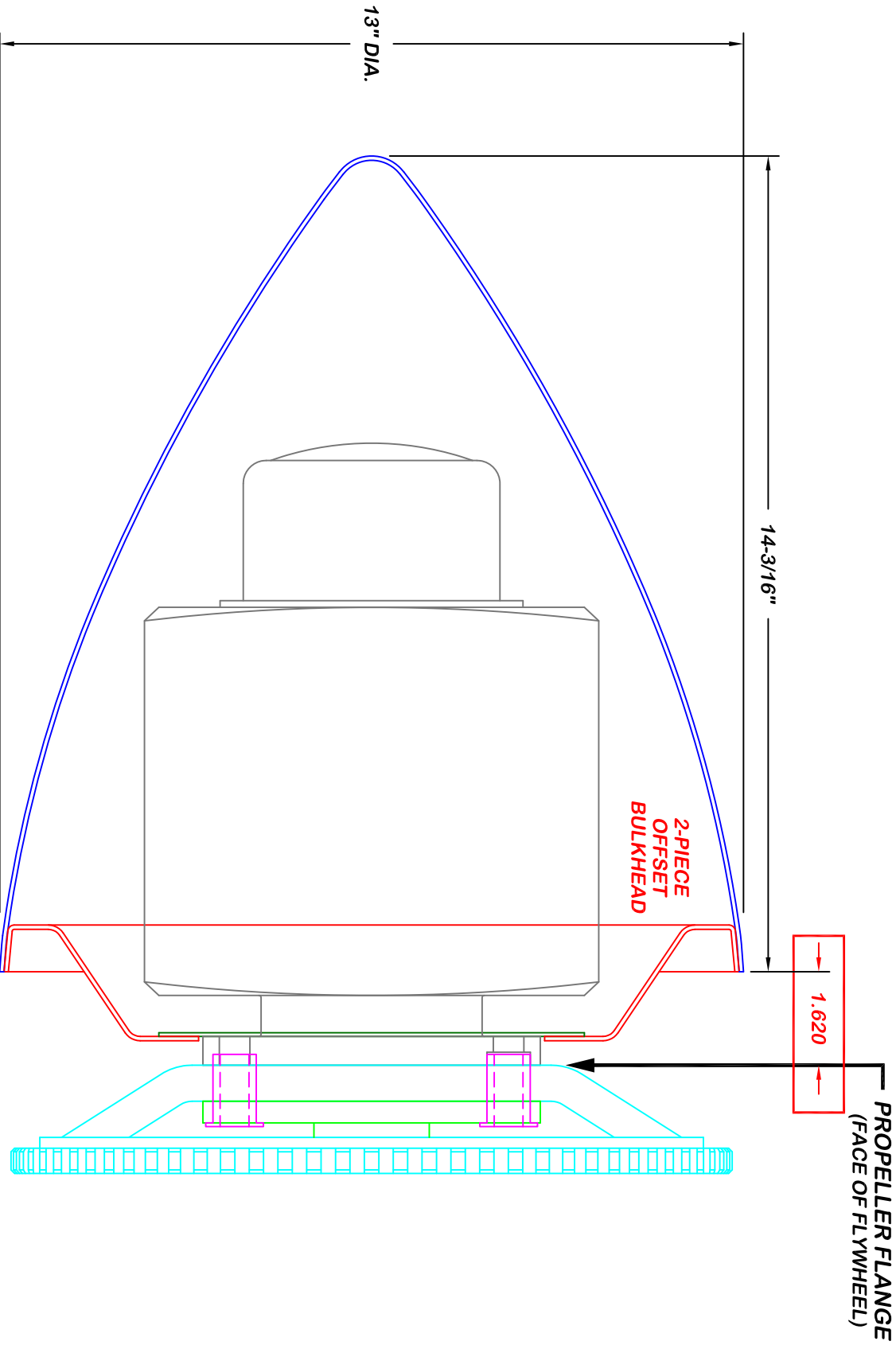
## 13" RV ROCKET

- PROPELLER HUB
- SPINNER
- SPINNER BULKHEAD
- SPINNER MOUNTING PLATES
- ENGINE PROPELLER FLANGE
- PROPELLER DRIVE LUG
- STARTER FLYWHEEL

### LEGEND

WHIRL WIND AVIATION

DRAWN BY: J.S.      CHECKED BY: G.A.  
 REVISION: A      RELEASE DATE: 12/09/2014

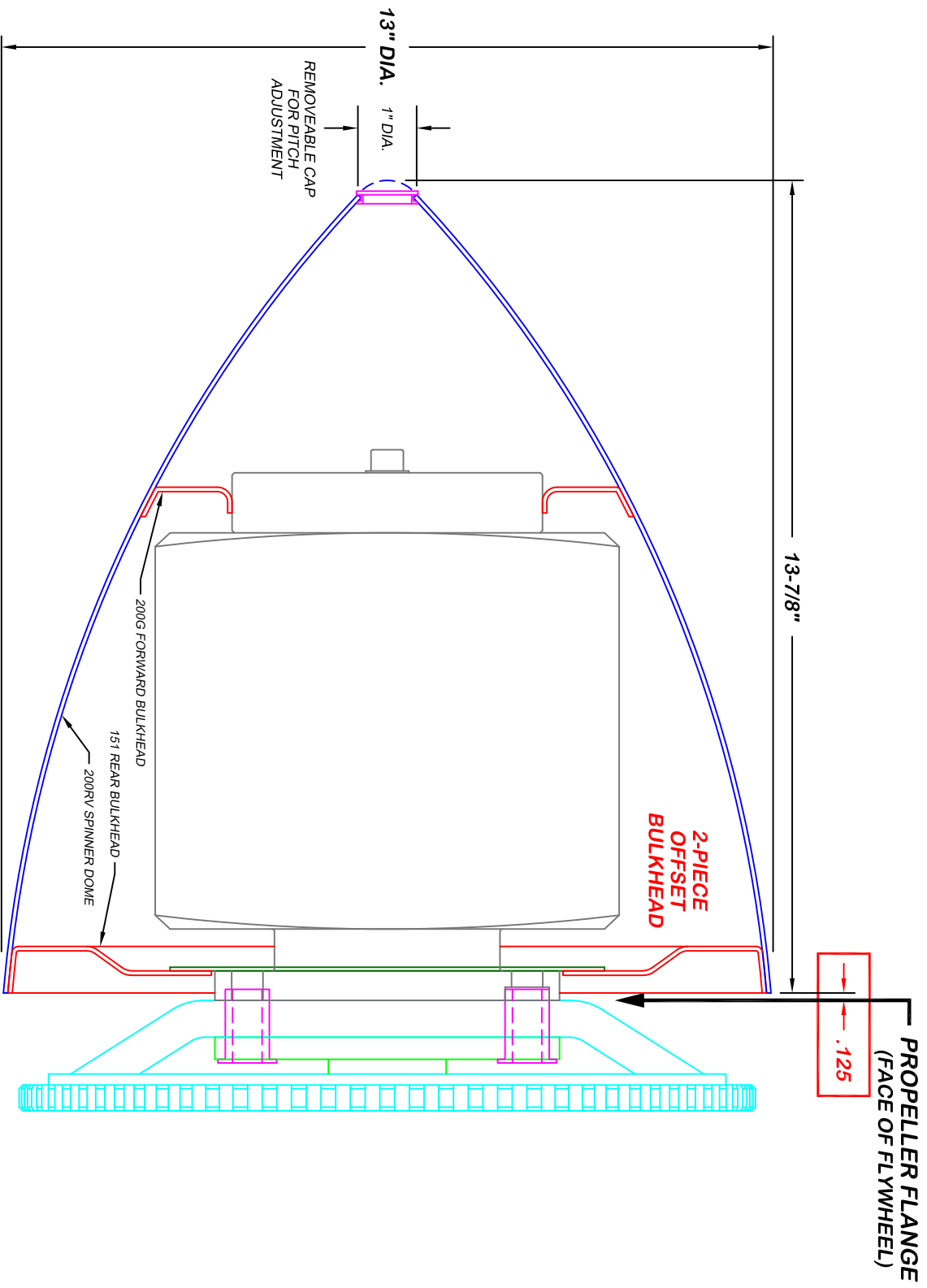


**200RV / RV-10 STANDARD / 200 ROCKET STANDARD**

- PROPELLER HUB
- SPINNER
- SPINNER BULKHEAD
- SPINNER MOUNTING PLATES
- ENGINE PROPELLER FLANGE
- PROPELLER DRIVE LUG
- STARTER FLYWHEEL

**LEGEND**

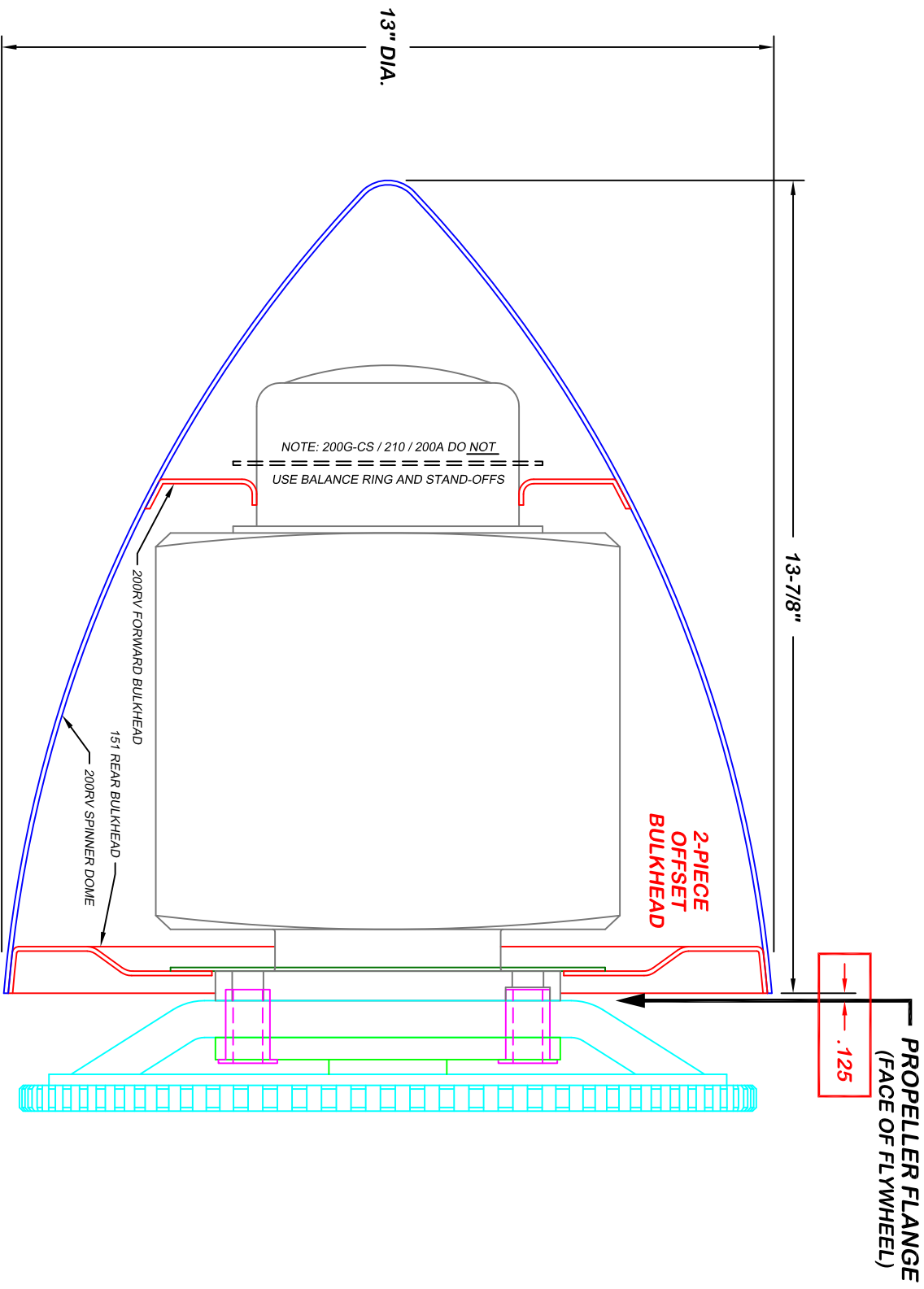




## 200G & 210G GROUND ADJUSTABLE

- PROPELLER HUB
- SPINNER
- SPINNER BULKHEAD
- SPINNER MOUNTING PLATES
- ENGINE PROPELLER FLANGE
- PROPELLER DRIVE LUG
- STARTER FLYWHEEL

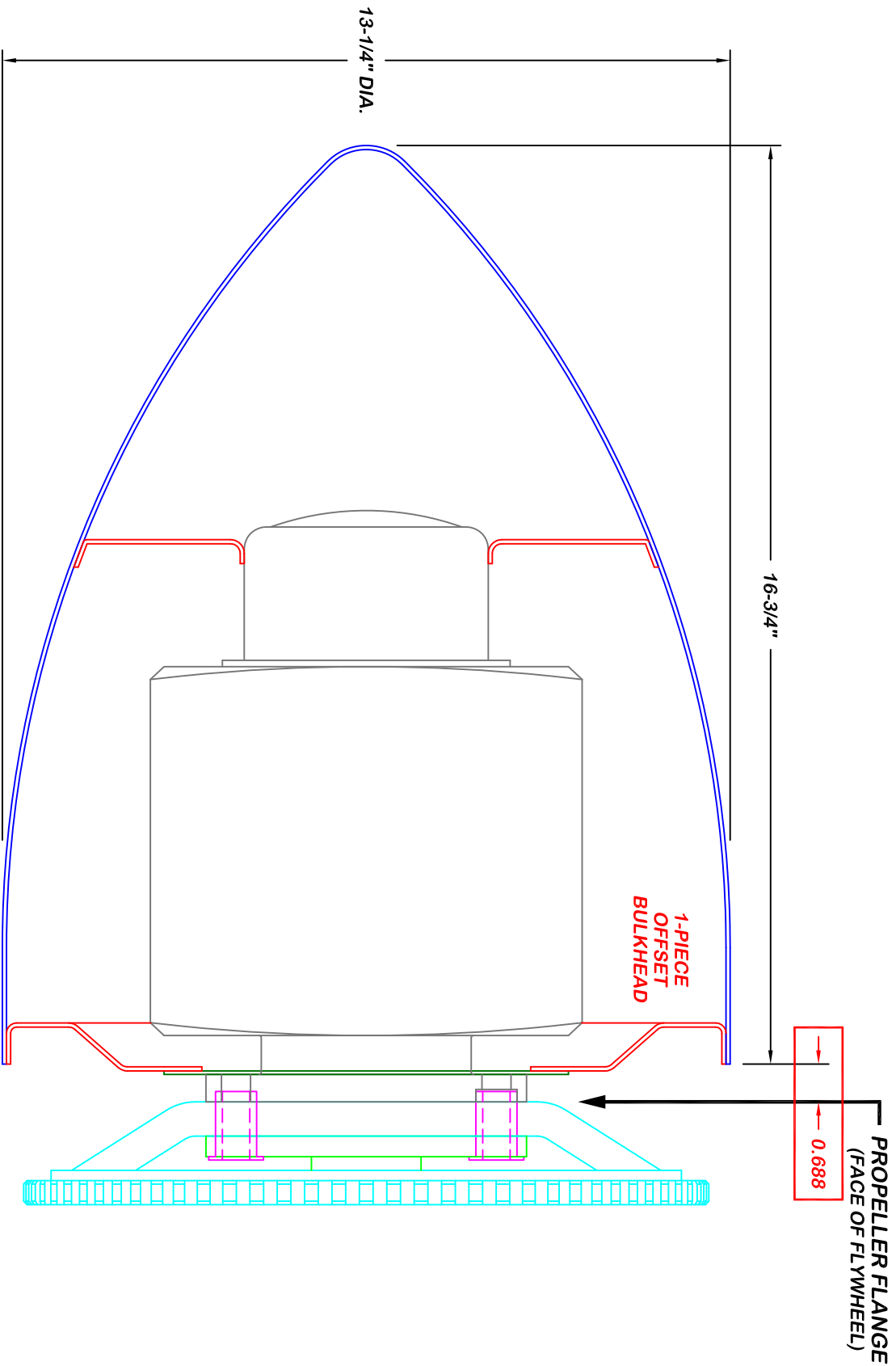
### LEGEND



**200G-CS / 210 / 200A CONSTANT SPEED**

- PROPELLER HUB
- SPINNER
- SPINNER BULKHEAD
- SPINNER MOUNTING PLATES
- ENGINE PROPELLER FLANGE
- PROPELLER DRIVE LUG
- STARTER FLYWHEEL

**LEGEND**



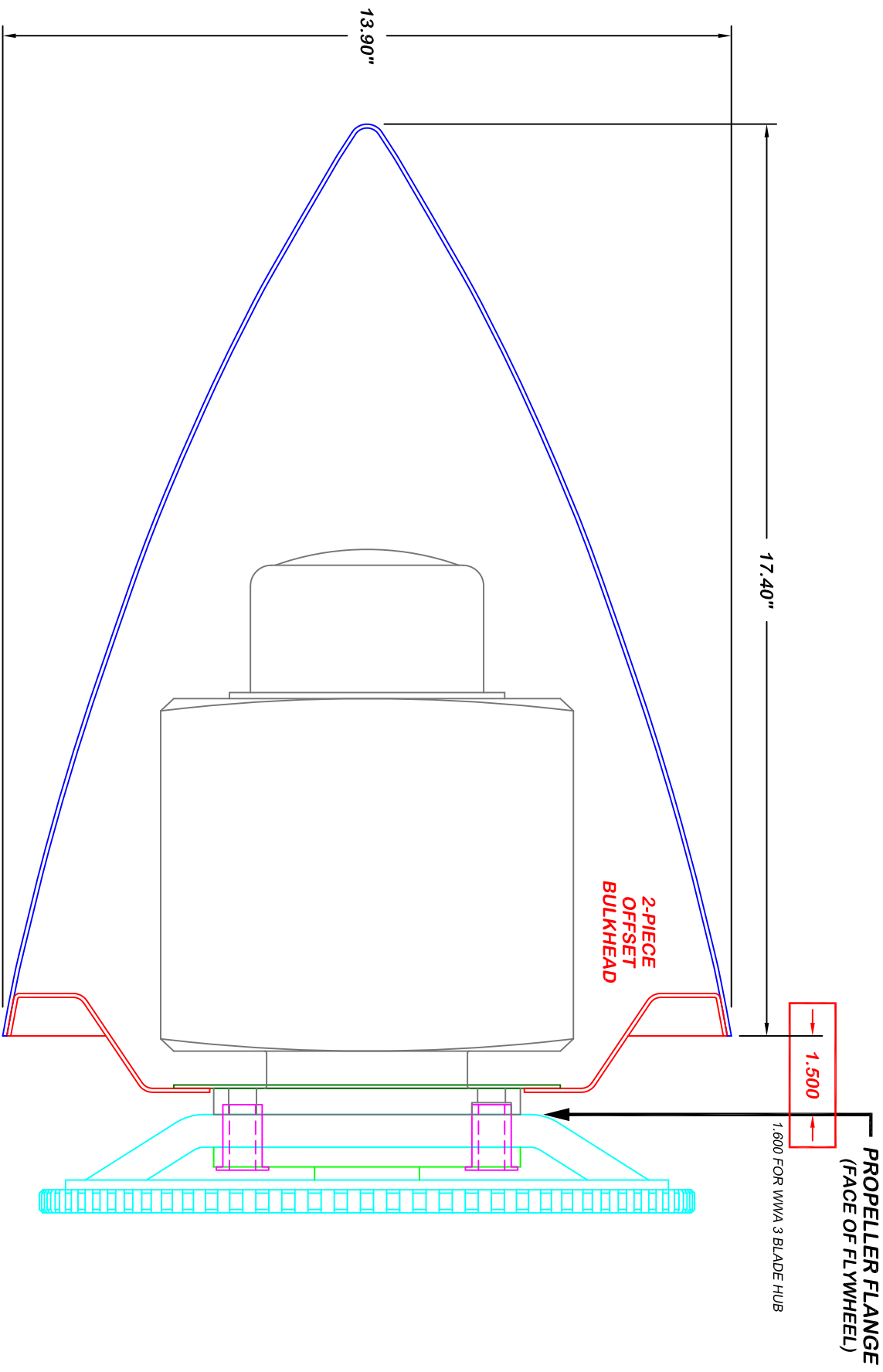
**200 SERIES 13" ROUNDED**

- PROPELLER HUB
- SPINNER
- SPINNER BULKHEAD
- SPINNER MOUNTING PLATES
- ENGINE PROPELLER FLANGE
- PROPELLER DRIVE LUG
- STARTER FLYWHEEL

**LEGEND**

WHIRL WIND AVIATION

DRAWN BY: J.S.      CHECKED BY: B.K.  
 REVISION: A      RELEASE DATE: 10/02/2012



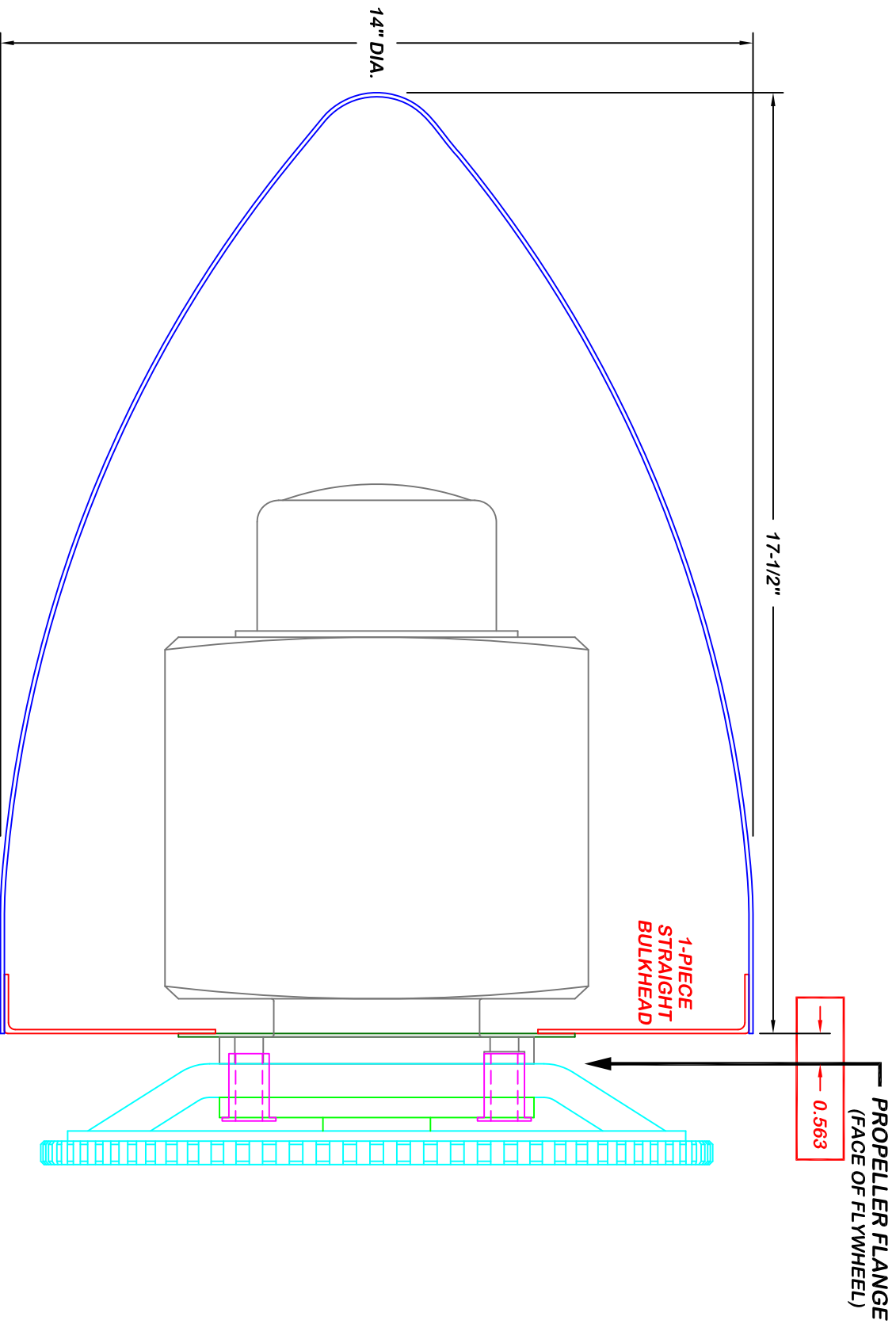
**14" RV-10 for JAMES COWL / 200 ROCKET**

USING 15" ROCKET SPINNER CUT BACK TO 13.9" DIA.

- PROPELLER HUB
- SPINNER
- SPINNER BULKHEAD
- SPINNER MOUNTING PLATES
- ENGINE PROPELLER FLANGE
- PROPELLER DRIVE LUG
- STARTER FLYWHEEL

**LEGEND**

WHIRL WIND AVIATION  
 DRAWN BY: J.S.      CHECKED BY: B.K.  
 REVISION: C      RELEASE DATE: 09/24/2012

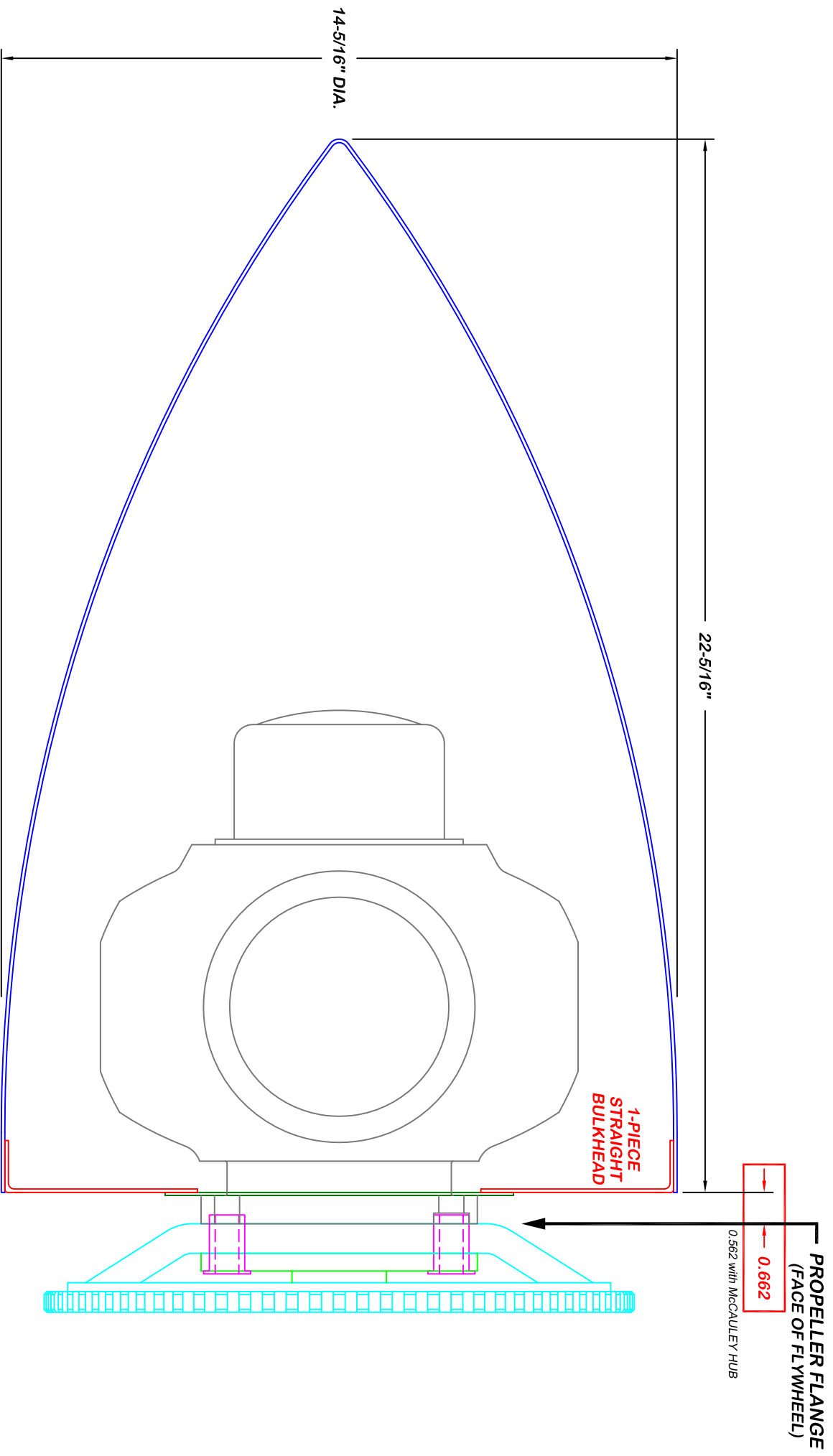


**200AC and 200C STANDARD ROUNDED**

- PROPELLER HUB
- SPINNER
- SPINNER BULKHEAD
- SPINNER MOUNTING PLATES
- ENGINE PROPELLER FLANGE
- PROPELLER DRIVE LUG
- STARTER FLYWHEEL

**LEGEND**

WHIRL WIND AVIATION  
 DRAWN BY: J.S. CHECKED BY: B.K.  
 REVISION: D RELEASE DATE: 10/07/2013

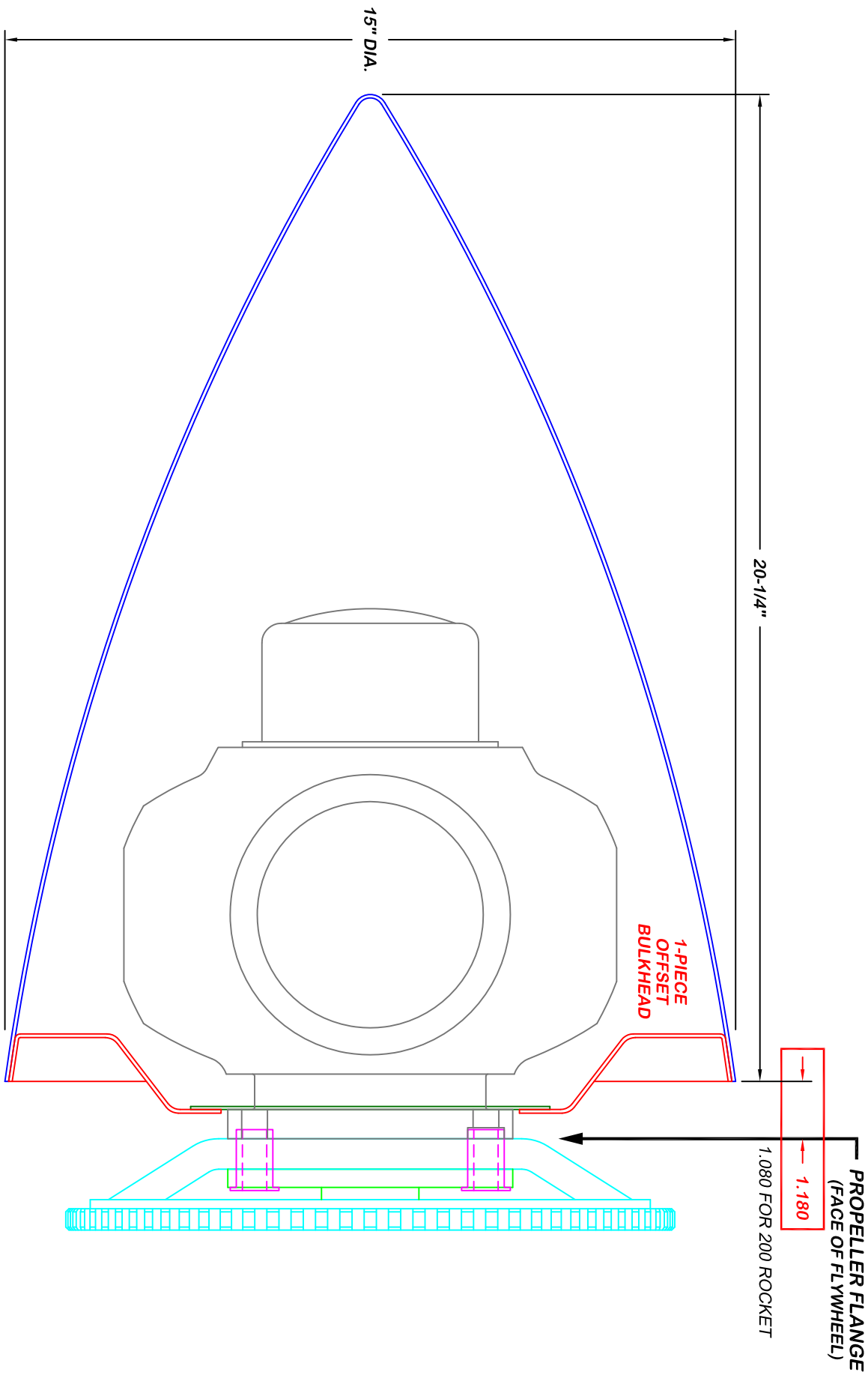


**400AC and 400C STANDARD POINTED**

- PROPELLER HUB
- SPINNER
- SPINNER BULKHEAD
- SPINNER MOUNTING PLATES
- ENGINE PROPELLER FLANGE
- PROPELLER DRIVE LUG
- STARTER FLYWHEEL

**LEGEND**

WHIRL WIND AVIATION  
 DRAWN BY: J.S.      CHECKED BY: B.K.  
 REVISION: D        RELEASE DATE: 10/07/2013

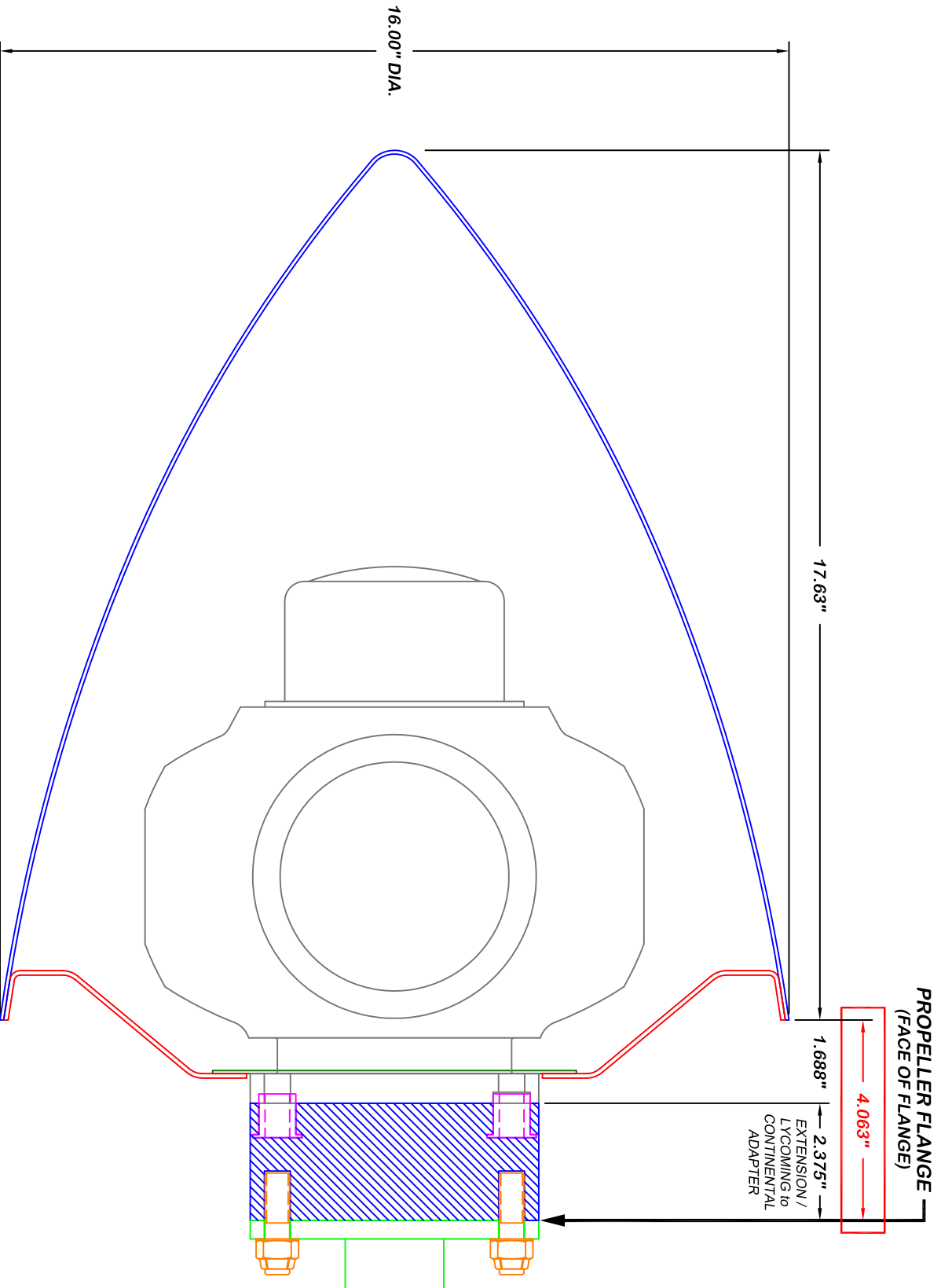









**200 ROCKET / 400 ROCKET STANDARD**

- PROPELLER HUB
- SPINNER
- SPINNER BULKHEAD
- SPINNER MOUNTING PLATES
- ENGINE PROPELLER FLANGE
- PROPELLER DRIVE LUG
- STARTER FLYWHEEL

**LEGEND**

WHIRL WIND AVIATION  
 DRAWN BY: J.S.      CHECKED BY: G.A.  
 REVISION: D      RELEASE DATE: 09/24/2015



- |   |                         |   |                         |
|---|-------------------------|---|-------------------------|
|  | PROPELLER HUB           |  | ENGINE PROPELLER FLANGE |
|  | SPINNER                 |  | PROPELLER DRIVE LUG     |
|  | SPINNER BULKHEAD        |  | STARTER FLYWHEEL        |
|  | SPINNER MOUNTING PLATES |   |                         |

**LEGEND**

WHIRL WIND AVIATION  
 DRAWN BY: J.S.      CHECKED BY: G.A.  
 REVISION: A        RELEASE DATE: 04/17/2014



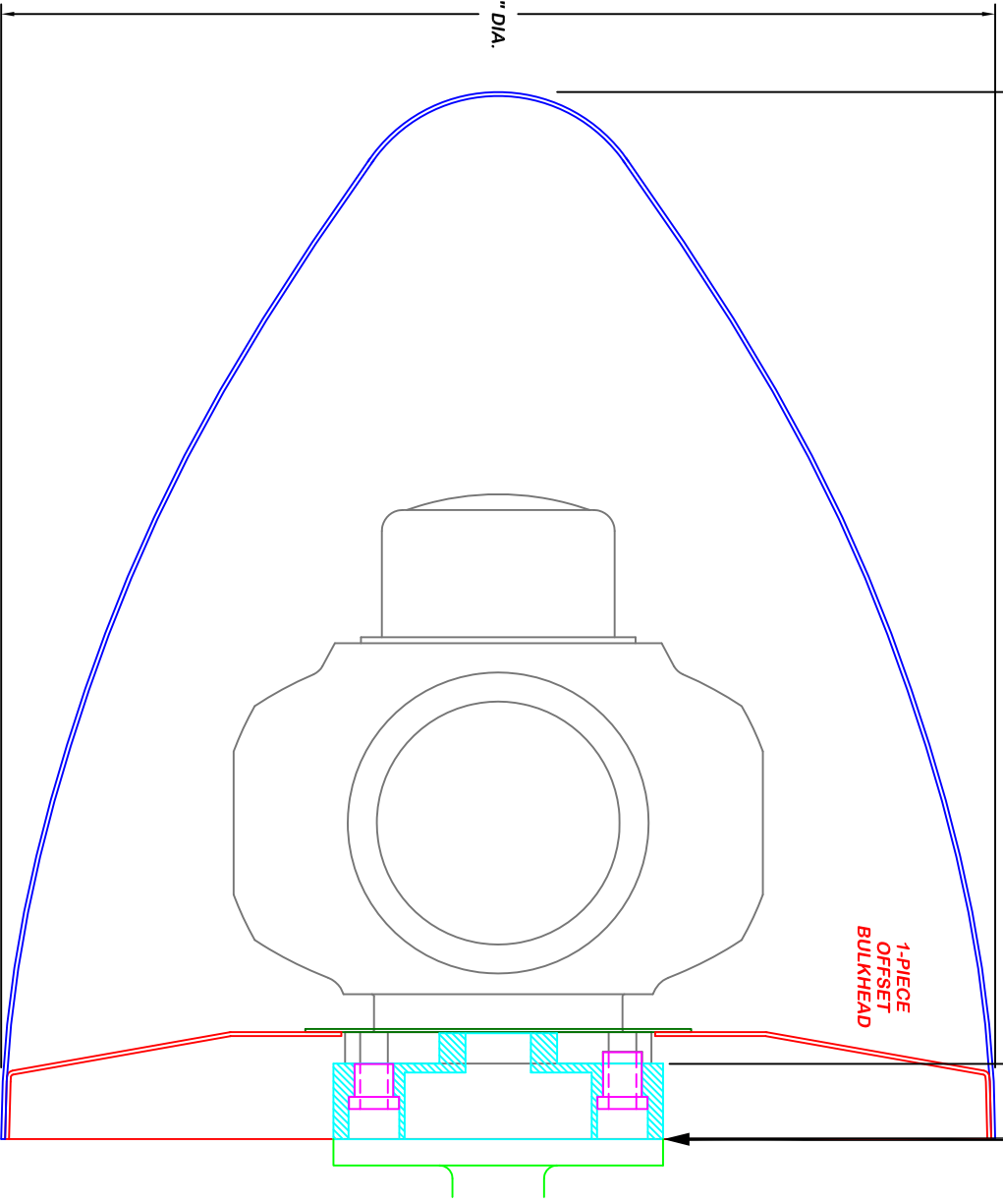
PROPELLER FLANGE

0.000

20.00"

PROP FLANGE ADAPTER 1.440

19" DIA.

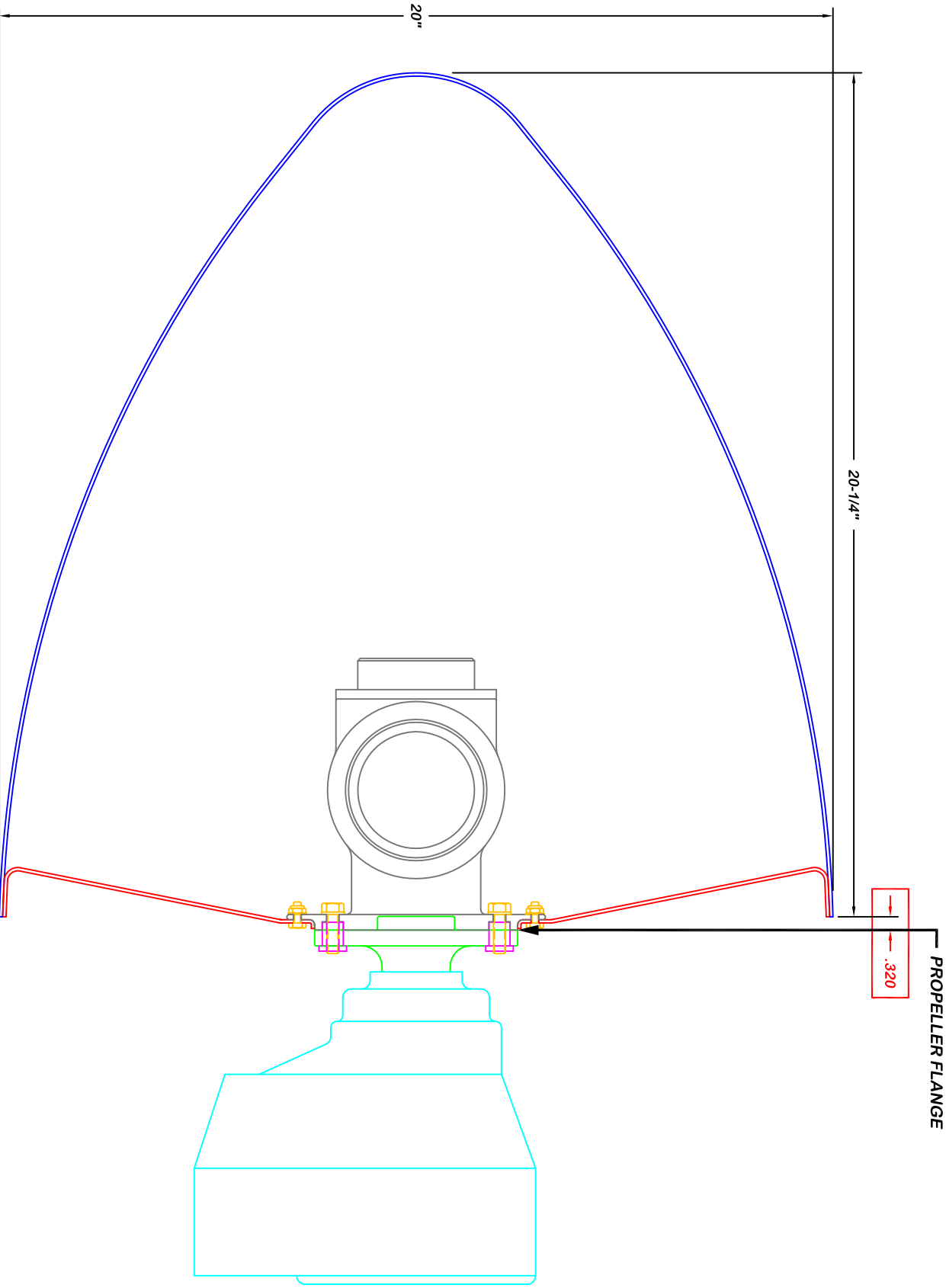


### 400C-M14 STANDARD

- PROPELLER HUB
- SPINNER
- SPINNER BULKHEAD
- SPINNER MOUNTING PLATES
- ENGINE PROPELLER FLANGE
- PROPELLER DRIVE LUG (BY WWA)
- M14 PROP FLANGE ADAPTER (BY WWA)

### LEGEND

WHIRL WIND AVIATION  
 DRAWN BY: J.S. CHECKED BY: NONE  
 REVISION: B RELEASE DATE: 01/18/2011



**100-4 STANDARD**

- PROPELLER HUB
- SPINNER
- SPINNER BULKHEAD
- ENGINE PROPELLER FLANGE
- PROPELLER DRIVE LUG
- REDUCTION DRIVE (ROTAX 912 & 914)

**LEGEND**

WHIRL WIND AVIATION  
 DRAWN BY: J.S.    CHECKED BY: B.K.  
 REVISION: A      RELEASE DATE: 04/19/2011